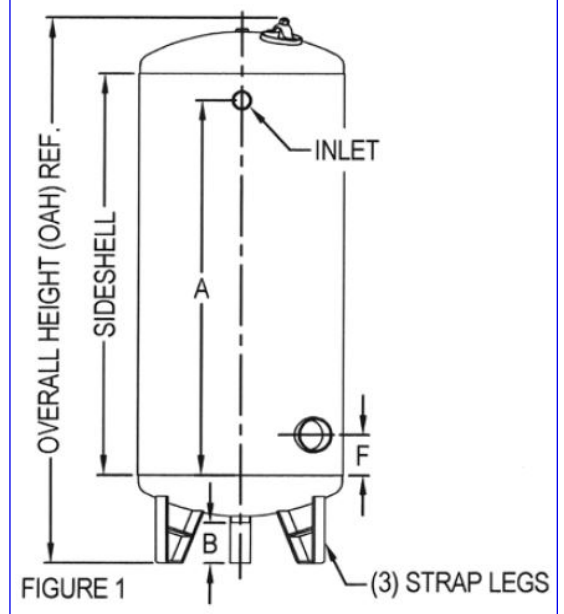
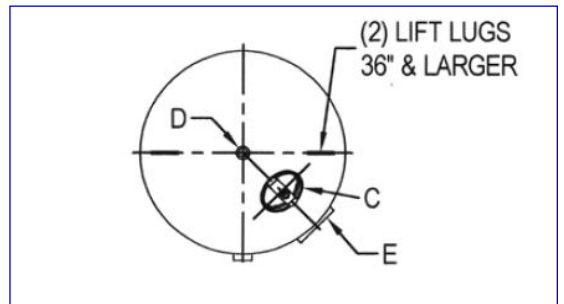
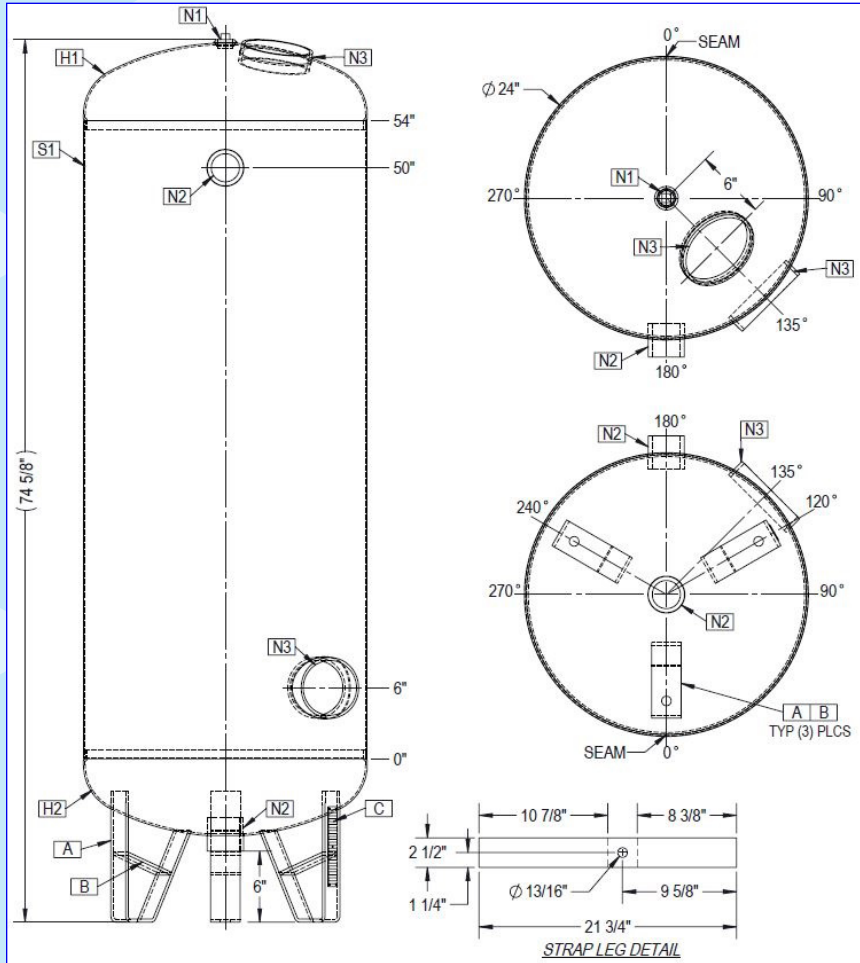


STEEL TANKS

Economical noncode water tanks are commonly used due to the low pressures and temperatures in typical applications. ASME code water tanks with U1A forms are available. Additional documentation for noncode and ASME code tanks are available. Steel tanks can be engineered to meet custom specification.



Standard Features	
Design	Noncode
Material	A36 Steel or Better
Color	White or Safety Blue
Interior Blasting	SSPC-SP5
Interior Coating	Devoe 233H, NSF 61
Exterior Blasting	SSPC-SP10
Exterior Coating	Themec N69F
Temperature Range	32-140°F
Max Allow. Work Pressure	100 psi at 3:1 SF
Hydraulic Leak Test	175% WP
Support	3 Strap Legs

Optional Features	
Design	ASME Code
Max Allow. Work Pressure	up to 150 psi at 3.0 SF
Connection	4"/6" DDDT Flanged
Material	304/316SS Black Iron
Coating	Galvanized
Support	4 Angle Legs

Standard Steel Tank Properties

Part Number	Size Dia x SS	Inlet/Outlet Full Coupling FNPT	Manhole Top [Side]	Vent Half Coupling FNPT	A	B	F	OAH Noncode [ASME]	Volume Noncode [ASME]	Head Volume Noncode [ASME]
	in									
100123	20x54	2	4x6 [4x6]	1	50	6	6	70 [75]	77 [83]	0.5 [0.8]
100124	20x54	2	4x6 [4x6]	1	50	6	6	72 [77]	113 [122]	0.8 [1.3]
100125	30x60	3	4x6 [6x8]	1	50	6	8	82 [87]	205 [216]	1.9 [2.6]
100127	36x60	3	12x16 [6x8]	1	55-3/4	9	7	89 [90]	298 [321]	3.0 [4.6]
100128	36x72	3	12x16 [6x8]	1	67-3/4	9	7	101 [107]	350 [374]	3.0 [4.6]
100129	42x72	3	12x16 [6x8]	1	67-3/4	9	7	103 [109]	484 [523]	4.6 [7.2]

- Additional vessels and configurations are available. The vessels shown above are the most common.

